

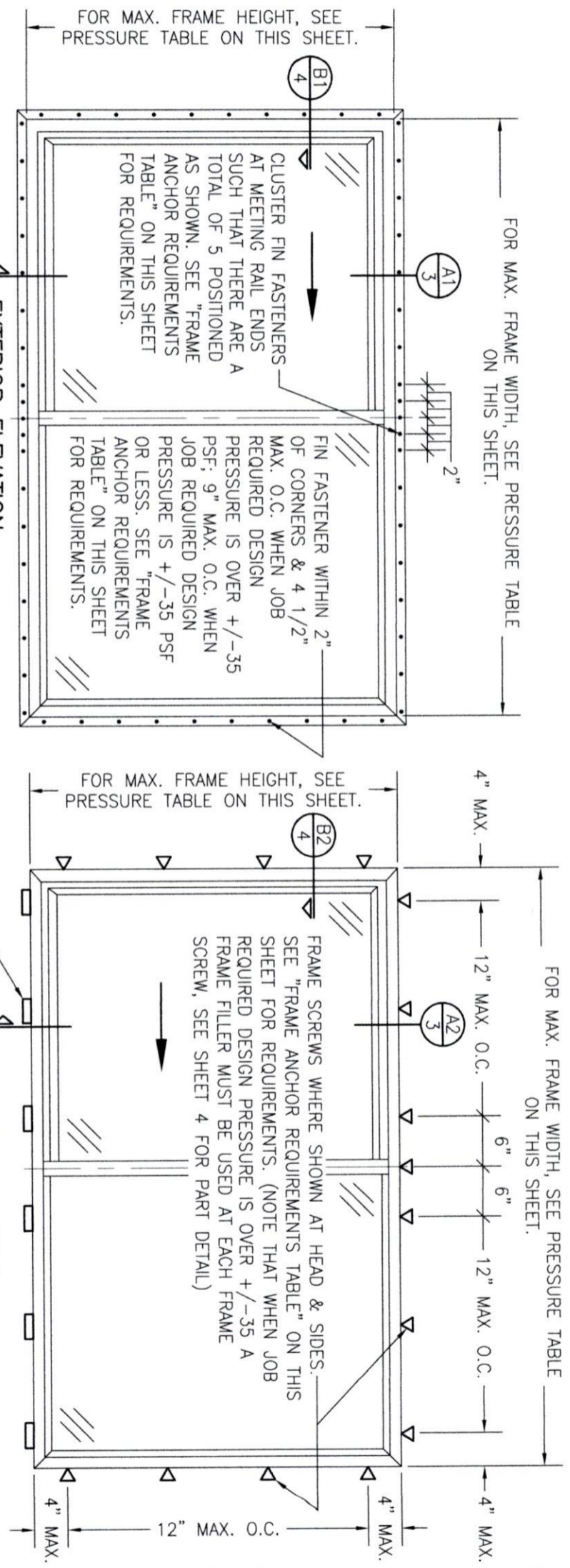
GENERAL NOTES:

1. ALL FASTENERS SHALL BE IN ACCORDANCE WITH THESE DRAWINGS. SPECIFIED ANCHOR EMBED TO BASE MATERIAL SHALL BE BEYOND WALL FINISH OR STUCCO.
2. OPENINGS, BUCKING & BUCKING FASTENERS MUST BE PROPERLY DESIGNED & INSTALLED TO TRANSFER WIND LOADS TO THE STRUCTURE.
3. THESE NON-IMPACT RATED PRODUCT INSTALLATIONS ARE IN ACCORDANCE WITH AND MEET THE REQUIREMENTS OF THE FLORIDA BUILDING CODE (FBC).
4. ALL ANCHORS SECURING PRODUCT FRAMES TO PRESSURE TREATED BUCKS OR WOOD FRAMING SHALL BE CAPABLE OF RESISTING CORROSION CAUSED BY THE PRESSURE TREATING CHEMICALS IN THE WOOD.
5. MATERIALS, INCLUDING BUT NOT LIMITED TO STEEL SCREWS, THAT COME INTO CONTACT WITH OTHER DISSIMILAR MATERIALS SHALL MEET THE REQUIREMENTS OF FLORIDA BUILDING CODE CHAPTER 20.
6. TO THE BEST OF OUR KNOWLEDGE, THE PRODUCT SHOWN HEREIN IS CERTIFIED & QUALITY ASSURED BY A FLORIDA STATE APPROVED CERTIFICATION/QA ENTITY & SHALL BE LABELED IN ACCORDANCE WITH THE FBC AND THE FLORIDA DEPARTMENT OF BUSINESS & PROFESSIONAL REGULATION SPECIFICATIONS. PRODUCT ASSEMBLY IS NOT PART OF THIS DRAWING AND SHALL BE IN ACCORDANCE WITH THE MANUFACTURER'S QUALITY ASSURANCE SPECIFICATIONS & TESTING REPORTS.
7. CERTIFICATION OF THESE PRODUCT INSTALLATIONS SHALL BE CONSIDERED VOID IF ANY OF THE FOLLOWING APPLY: 1) PRODUCT IS INSTALLED WITHOUT A BUILDING PERMIT FROM THE APPLICABLE LOCAL BUILDING DEPARTMENT. 2) PRODUCT IS INSTALLED BY ANYONE OTHER THAN A LICENSED CONTRACTOR EXPERIENCED WITH INSTALLATIONS OF THIS TYPE OF PRODUCT. 3) IF CHANGES HAVE OCCURRED TO THE PRODUCT'S CERTIFICATION ENTITY'S CERTIFICATE THAT CAUSE THESE INSTALLATIONS TO BE INCORRECT OR INCONSISTENT WITH WHAT HAS BEEN TESTED.
8. THE LEAST DESIGN PRESSURE SPECIFIED EITHER IN THIS DRAWING OR IN THE PRODUCTS CERTIFICATION SHALL CONTROL FOR THE INSTALLED PRODUCT.
9. THESE DRAWINGS CERTIFY THE PRODUCT INSTALLATION ONLY. WATER PROOFING OF THE INSTALLED PRODUCT IS NOT PART OF THIS INSTALLATION CERTIFICATION. THAT RESPONSIBILITY SHALL BE THAT OF THE MANUFACTURER &/OR INSTALLER.

FRAME ANCHOR REQUIREMENTS TABLE

OPENING TYPE (SUBSTRATE)	FRAME/CLIP/NAIL FIN TO OPENING FASTENER TYPE	MINIMUM EMBED	MINIMUM EDGE DIST.
(1) FRAME SCREWS			
MIN. 2X4 WOOD FRAME OR BUCK (MIN. GR. 3 & G=0.55)	NO. 10 SMS OR WOOD SCREW	1 1/4"	3/4"
MIN. 18 GA. 33 KSI METAL STUD	NO. 10 GR. 5 SELF TAP/DRILL SCREW	FULL	1/2"
MIN. 1/8" THK A36 STEEL	NO. 10 GR. 5 SELF TAP/DRILL SCREW	FULL	1/2"
MIN. 1/8" THK 6063-T5 ALUM.	NO. 10 GR. 5 SELF TAP/DRILL SCREW	FULL	1/2"
MIN. C-90 CMU OR 2500 PSI CONCRETE	(2) 1/4" CONCRETE SCREW	1 1/4"	2"
(1) INSTALLATION CLIP SCREWS			
MIN. 2X4 WOOD FRAME OR BUCK (MIN. GR. 3 & G=0.55)	NO. 10 SMS SCREW	1 1/4"	1/2"
MIN. 18 GA. 33 KSI METAL STUD	NO. 10 GR. 5 SELF TAP/DRILL SCREW	FULL	1/2"
MIN. 1/8" THK A36 STEEL	NO. 10 GR. 5 SELF TAP/DRILL SCREW	FULL	1/2"
MIN. 1/8" THK 6063-T5 ALUM.	NO. 10 GR. 5 SELF TAP/DRILL SCREW	FULL	1/2"
2500 PSI CONCRETE	(2) 3/16" CONCRETE SCREW	1 1/4"	2"
(3) NAILING FIN FASTENERS			
MIN. 2X4 WOOD FRAME OR BUCK (MIN. GR. 3 & G=0.55)	NO. 8 SMS SCREW	1 3/8"	1/2"
MIN. 2X4 WOOD FRAME OR BUCK (MIN. GR. 3 & G=0.55)	11 GA. ROOFING NAIL	1 3/8"	1/2"
MIN. 1/8" THK A36 STEEL	NO. 8 GR. 5 SELF TAP/DRILL SCREW	FULL	1/2"
MIN. 1/8" THK 6063-T5 ALUM.	NO. 8 GR. 5 SELF TAP/DRILL SCREW	FULL	1/2"

- (1) FRAME AND INSTALLATION CLIP SCREWS SHALL BE A PAN OR HEX HEAD SCREW.
- (2) CONCRETE SCREWS SHALL BE ELCO ULTRACONS (C.S.), ELCO CRETE-FLEX (S.S.), ITW RAMSET/RED HEAD TAPCONS (C.S. OR S.S.) OR HILTI KWIK-CON II (C.S. OR S.S.).
- (3) WHEN SCREWS ARE USED WITH THE NAIL FIN, THEY MUST BE A WAFFLE HEAD SCREW OR HAVE A FLAT WASHER AT THE SCREW HEAD.



**EXTERIOR ELEVATION:
XO WINDOW**
SCALE: 3/4" = 1'-0"
(NAIL FIN MOUNT CONDITION)

**EXTERIOR ELEVATION:
XO WINDOW**
SCALE: 3/4" = 1'-0"
(FRAME SCREW AND CLIP MOUNT CONDITION)

ALLOWABLE DESIGN PRESSURE (XO & OX UNITS)

MAX. FRAME WIDTH (IN.)	MAX. FRAME HEIGHT (IN.)	ALLOWABLE PRESSURE (+/- PSF)
52 1/4	62	50
72	44	50
73 1/2	72	25
96	62	30

PRESSURES & CONDITIONS SHOWN IN THIS DRAWING ARE GOVERNED BY INSTALLATION REQUIREMENTS ONLY. THE GOVERNING CONDITIONS ON ANY SPECIFIC PRODUCT SHALL BE THE LESSER OF THOSE SPECIFIED IN THE PRODUCTS STATE APPROVAL OR THAT SHOWN IN THESE DRAWINGS.

INSTALLATION EVALUATION IS BASED ON APPLICABLE ANCHOR STANDARDS AND/OR INFORMATION & RESULTS FROM APPLICABLE TEST REPORTS. THE FLORIDA BUILDING CODE VERSION CONSIDERED WITH THE EVALUATION WAS THAT IN FORCE AT THE TIME OF THE EVALUATION. IN THE EVENT OF CODE VERSION CHANGES/UPDATES OR IN THE EVENT THAT NEW OR ADDITIONAL TESTING IS COMPLETED ON THE REFERENCED PRODUCT, PRIOR TO STATING CODE COMPLIANCE WITH THE STATE, THE MANUFACTURER SHALL CONFIRM WITH THE INSTALLATION EVALUATION ENGINEER OF RECORD THAT THE INSTALLATIONS SPECIFIED HERE-IN ARE CURRENT WITH THE THEN CURRENT TESTING, CODE AND APPLICABLE STANDARDS.

ANCHOR/SUBSTRATE EVALUATION NOTE:

ALL ANCHORS IN THEIR SPECIFIED SUBSTRATES HAVE BEEN ANALYZED IN ACCORDANCE WITH THEIR APPLICABLE STANDARD(S) AND ARE FOUND TO BE CAPABLE OF SUPPORTING ALL LOADS IMPOSED ON THEM UNDER THE GUIDELINES OF THIS DOCUMENT. ANY SUBSTRATES OR CONDITIONS OUTSIDE OF WHAT IS SHOWN HERE-IN SHALL BE SUBJECT TO JOB SPECIFIC ENGINEER'S REVIEW & CERTIFICATION.

INSTALLATION NOTE:

WHEN NECESSARY, INSTALLATION METHODS MAY BE MIXED WITH ANY ONE WINDOW SUCH THAT INDIVIDUAL SIDES OF THE WINDOW MAY USE ONE OR THE OTHER ANCHOR METHOD (EXAMPLE: HEAD MAY USE FRAME SCREWS METHOD WHILE OTHER SIDES USE FIN)

THESE DRAWINGS ARE APPLICABLE ONLY TO THE PRODUCT SPECIFIED. THEY MAY NOT BE USED FOR THE ASSEMBLY AND/OR INSTALLATION OF ANY OTHER PRODUCT NOR MAY THEY BE USED FOR RATIONAL AND/OR LOCAL APPROVAL OF ANY PRODUCT NOT PRODUCED BY THE MANUFACTURER STATED ON THESE DRAWINGS.

NO.	REVISION DESCRIPTION	BY	DATE
A1	ADDED WINDOW CONDITIONS	W.W.S.	06/17/14
B1	UPDATE FOR NEW TESTING	W.W.S.	03/08/16
C1	UPDATE TO CURRENT STANDARDS	W.W.S.	03/09/23

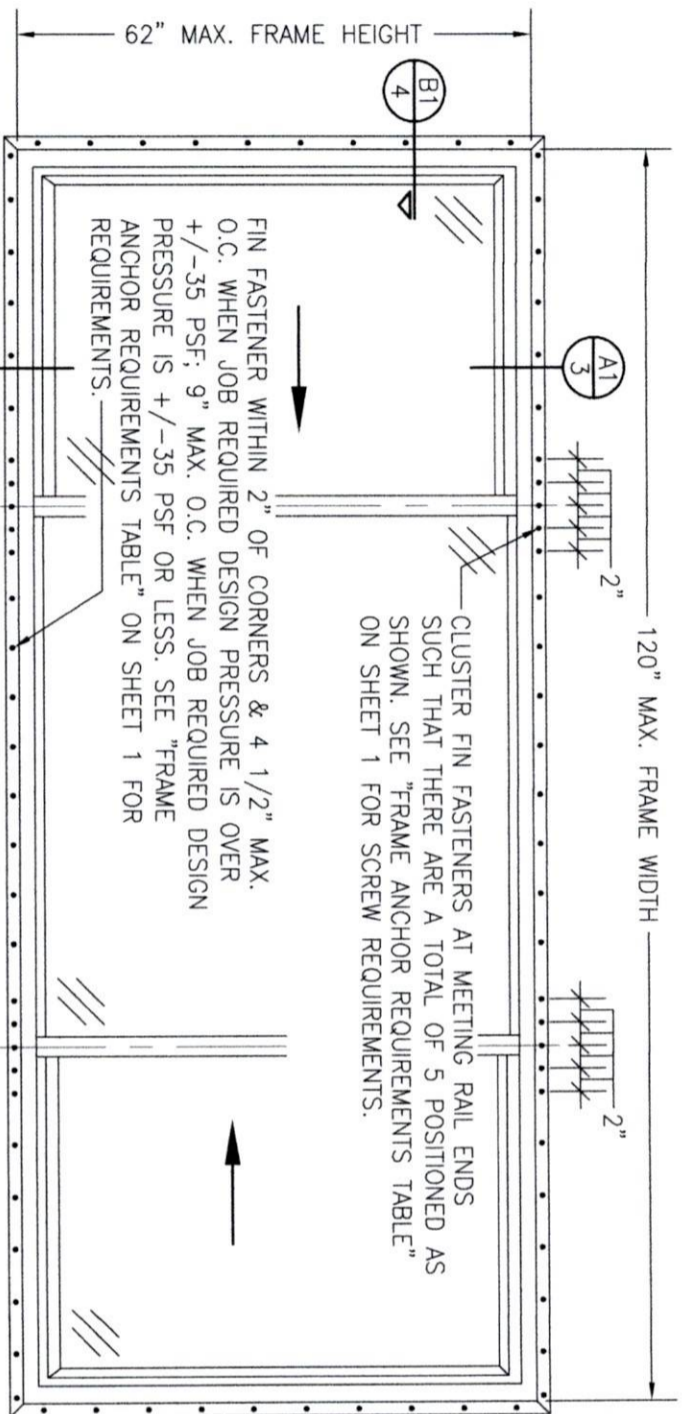
PELLA CORPORATION
102 MAIN STREET
PELLA, IA 50219
641-621-1000

W. W. SCHAEFER ENGINEERING & CONSULTING, P.A.
26376 NADIR ROAD, UNIT 309
PUNTA GORDA, FL 33983
PHONE: 561-744-3424

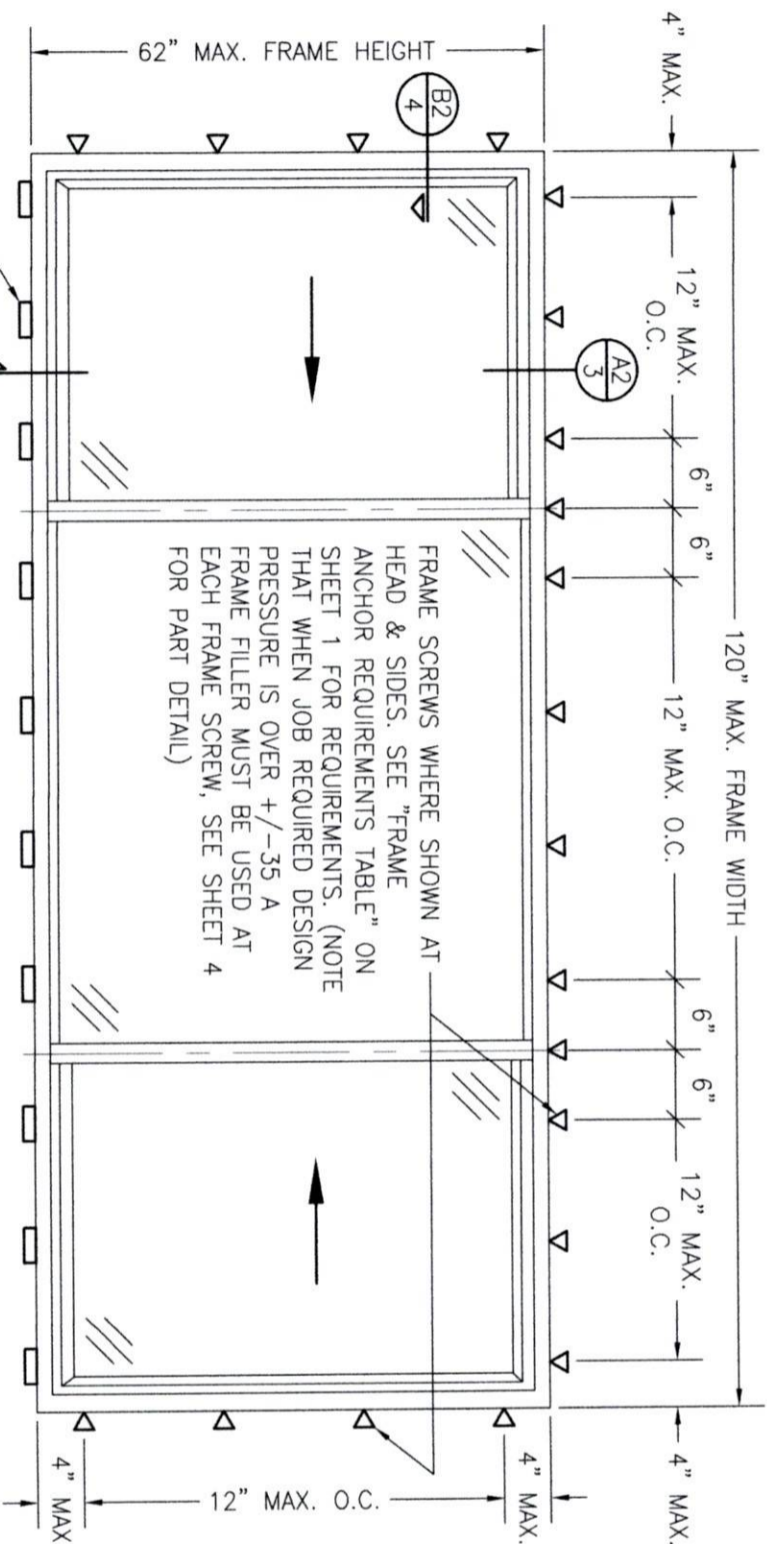
CERTIFICATION
DRAWING NO. **1869**
SHEET NO. **1** OF **5**
REV. **C**
WARREN W. SCHAEFER, P.E.
P.E. NO. 44135

DRAWING TITLE
250 SERIES VINYL SLIDING GLASS NON-IMPACT WINDOW

DRAWN BY: W.R.M.
CHECKED BY: W.M.S.
DATE: 02/04/14



**EXTERIOR ELEVATION:
XOX WINDOW**
SCALE: 3/4" = 1'-0"
(NAIL FIN MOUNT CONDITION)



**EXTERIOR ELEVATION:
XOX WINDOW**
SCALE: 3/4" = 1'-0"
(FRAME SCREW AND CLIP MOUNT CONDITION)


ALLOWABLE DESIGN PRESSURE (XOX UNITS)		
MAX. FRAME WIDTH (IN.)	MAX. FRAME HEIGHT (IN.)	ALLOWABLE PRESSURE (+/- PSF)
96	72	25
108	44	50
120	62	30

PRESSURE SHOWN IN THIS TABLE IS FOR INSTALLATION CONDITIONS ONLY. THE GOVERNING DESIGN PRESSURE ON THE WINDOWS SHALL BE THE LESSER OF THAT SHOWN IN THE INDIVIDUAL WINDOWS STATE APPROVAL OR THAT SHOWN IN THIS TABLE.

DRAWN BY: W.R.M.	CHECKED BY: W.M.S.		
DATE: 02/04/14			
NO.	REVISION DESCRIPTION	BY	DATE

DRAWING TITLE
250 SERIES VINYL SLIDING GLASS NON-IMPACT WINDOW

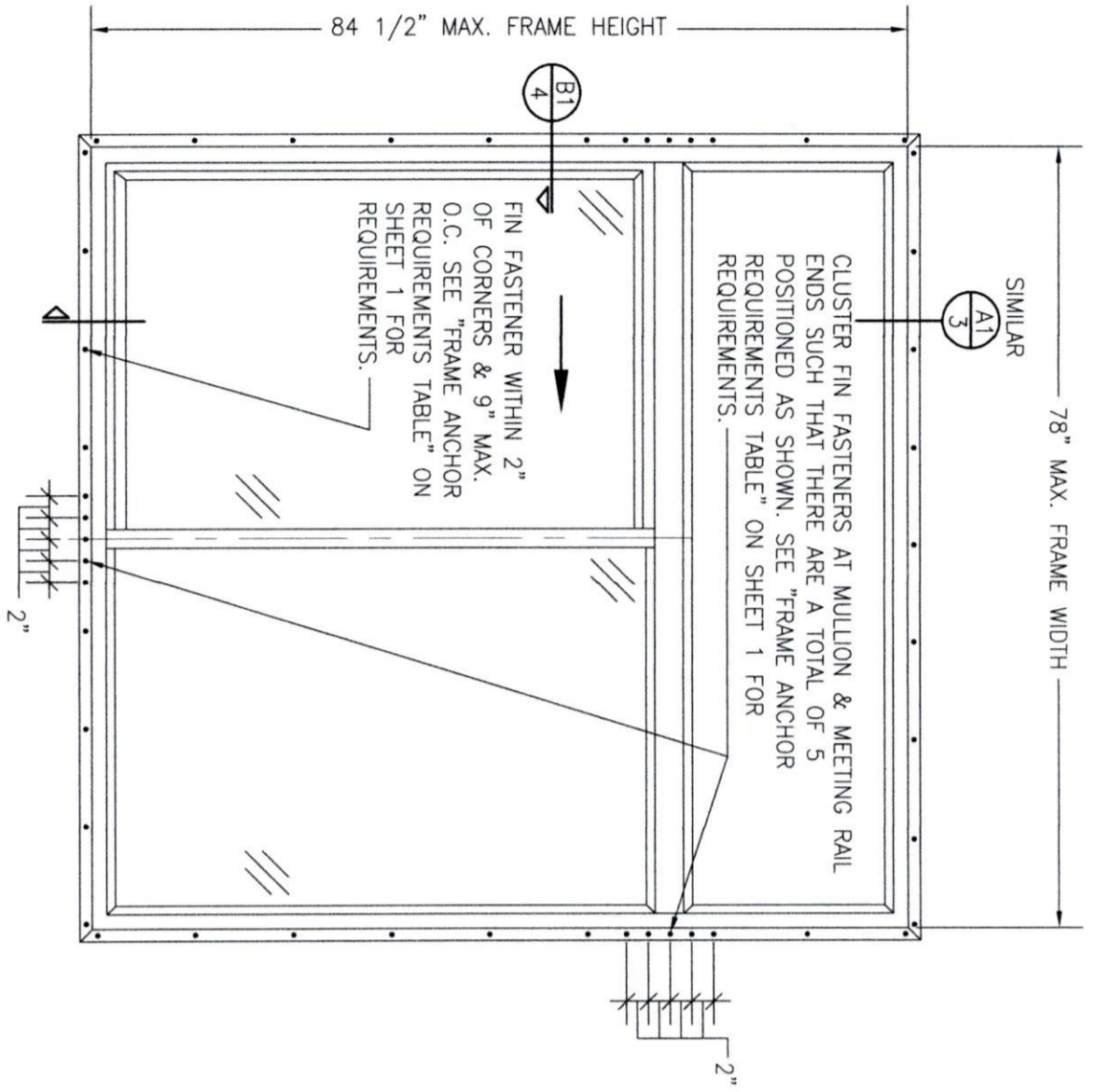
CONSULTANTS
W. W. SCHAEFER ENGINEERING & CONSULTING, P.A.
26376 NADIR ROAD, UNIT 309
PUNTA GORDA, FL 33983
PHONE: 561-744-3424

MANUFACTURER

PELLA CORPORATION
 102 MAIN STREET
 PELLA, IA 50219
 641-621-1000

CERTIFICATION

WARREN W. SCHAEFER, P.E.
P.E. NO. 44135

DRAWING NO.: 1869
REV.: C
SHEET NO.: 2 OF 5

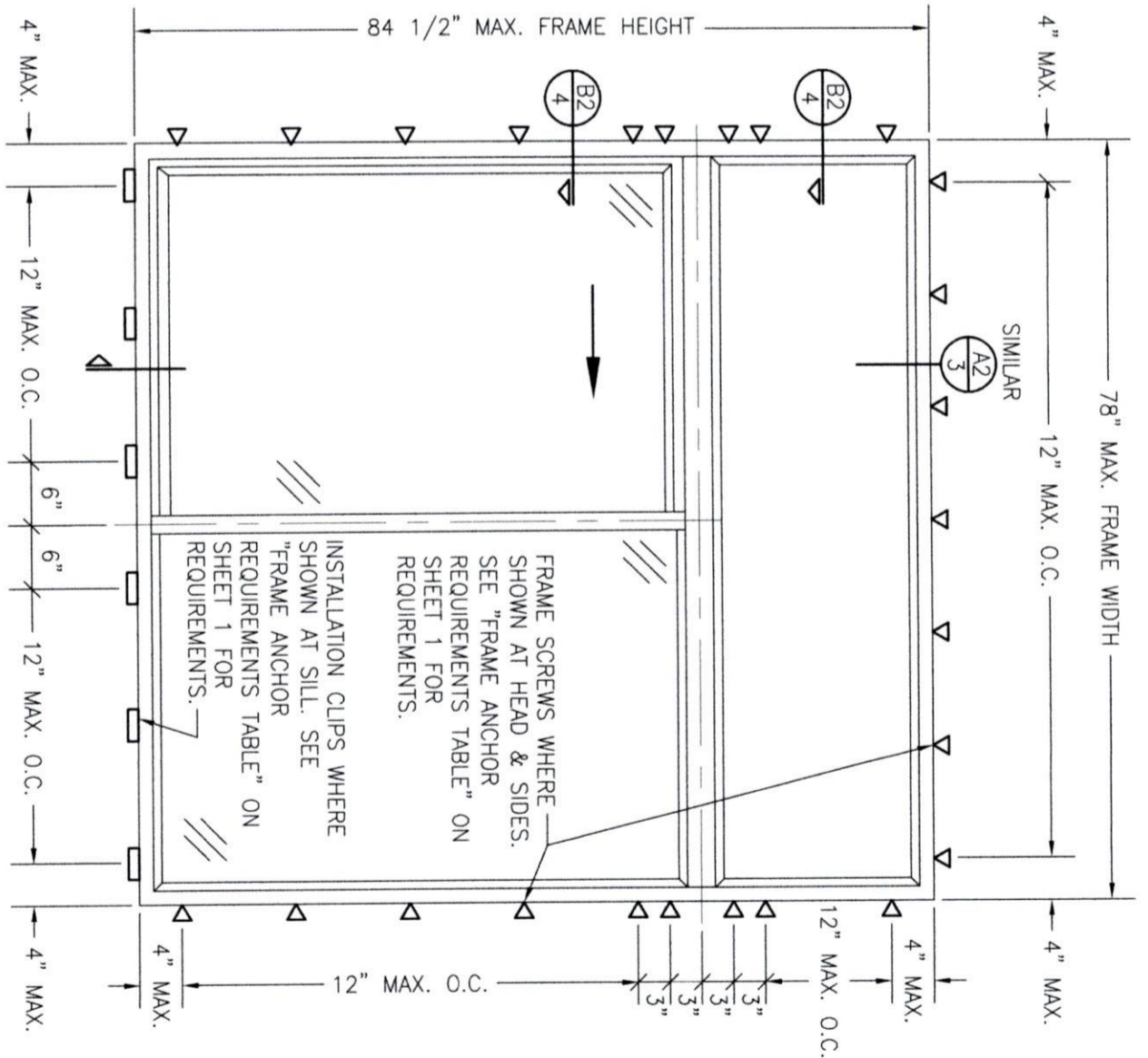


**EXTERIOR ELEVATION:
XO OR OX WINDOW WITH TRANSOM**
(NAIL FIN MOUNT CONDITION)

SCALE: 3/4" = 1'-0"

ALLOWABLE DESIGN PRESSURE
(TRANSOM UNITS)

+/-25 PSF




**EXTERIOR ELEVATION:
XO OR OX WINDOW WITH TRANSOM**
(FRAME SCREW AND CLIP MOUNT CONDITION)

SCALE: 3/4" = 1'-0"

NO.	REVISION DESCRIPTION	BY	DATE

MANUFACTURER
Pella CORPORATION
102 MAIN STREET
PELLA, IA 50219
641-621-1000



DRAWING TITLE
250 SERIES VINYL SLIDING GLASS NON-IMPACT WINDOW

CONSULTANTS
W. W. SCHAEFER ENGINEERING & CONSULTING, P.A.
26376 NADIR ROAD; UNIT 309
PUNTA GORDA, FL 33983
PHONE: 561-744-3424

CERTIFICATION

WARREN W. SCHAEFER, P.E.
P.E. NO. 44135

DRAWING NO.
1869

SHEET NO.
3 OF 5

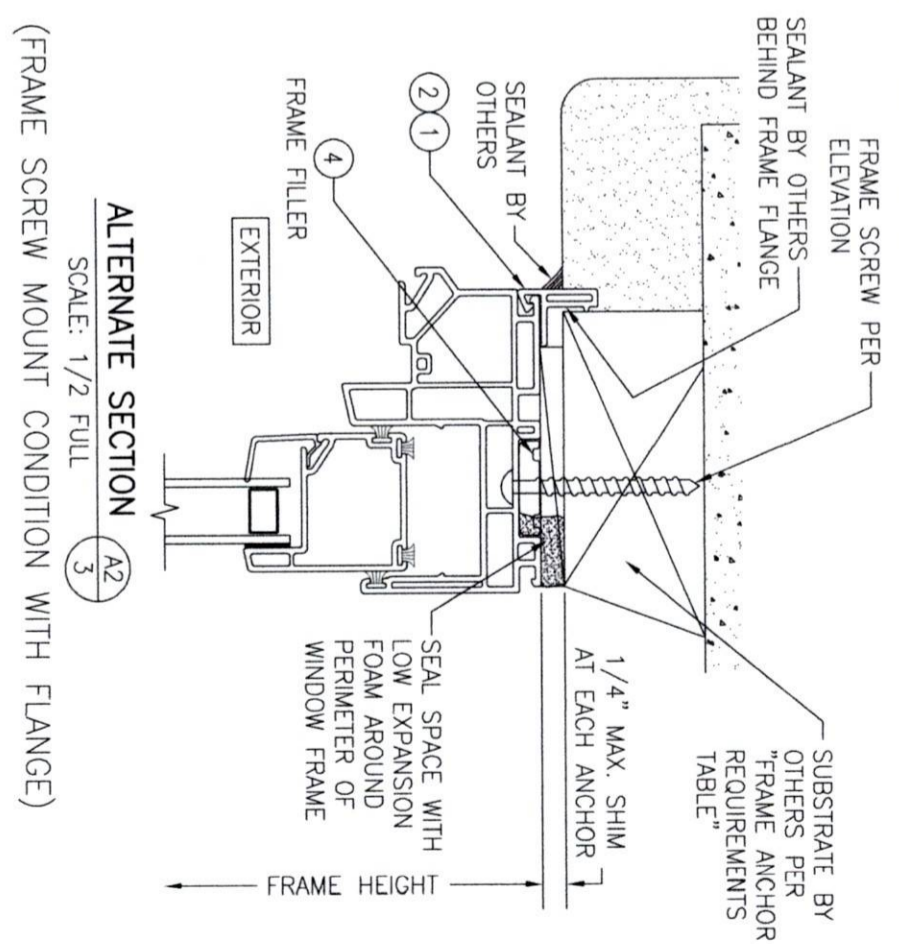
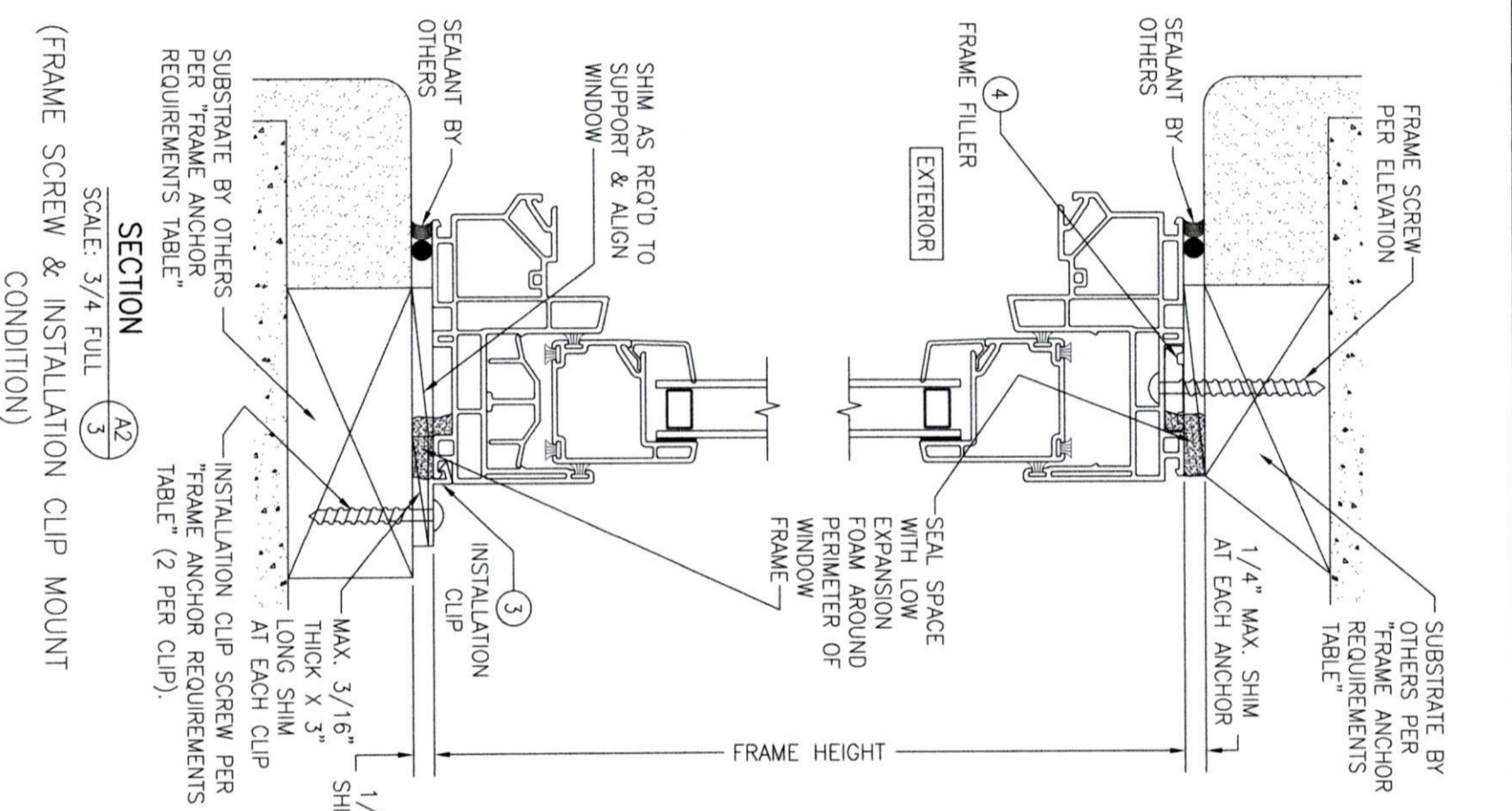
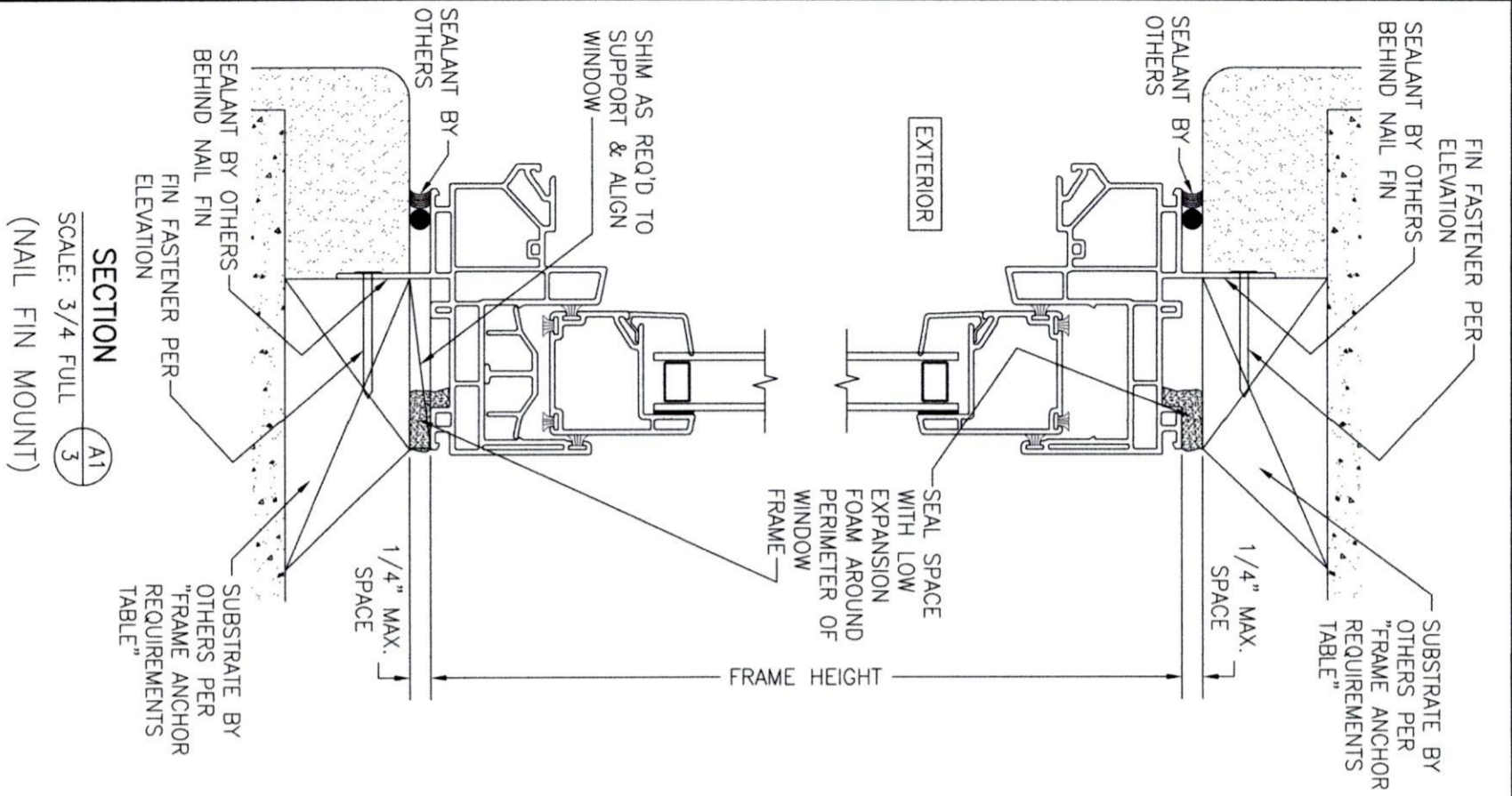
REV.
C

DRAWN BY:
W.R.M.

CHECKED BY:
W.W.S.


DATE:
02/04/14

PLOT:
1=16

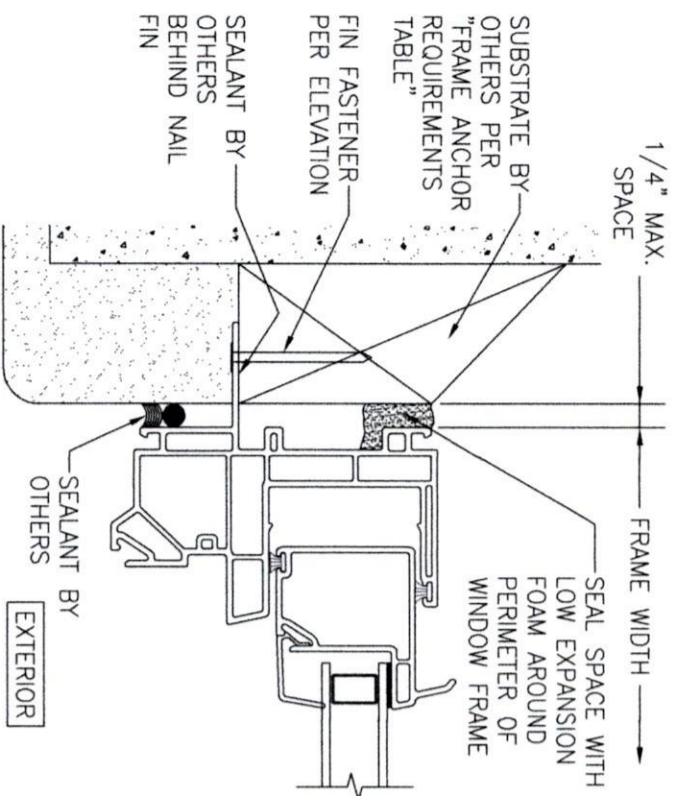


NO.	REVISION	DESCRIPTION	BY	DATE
1				
2				
3				
4				
5				

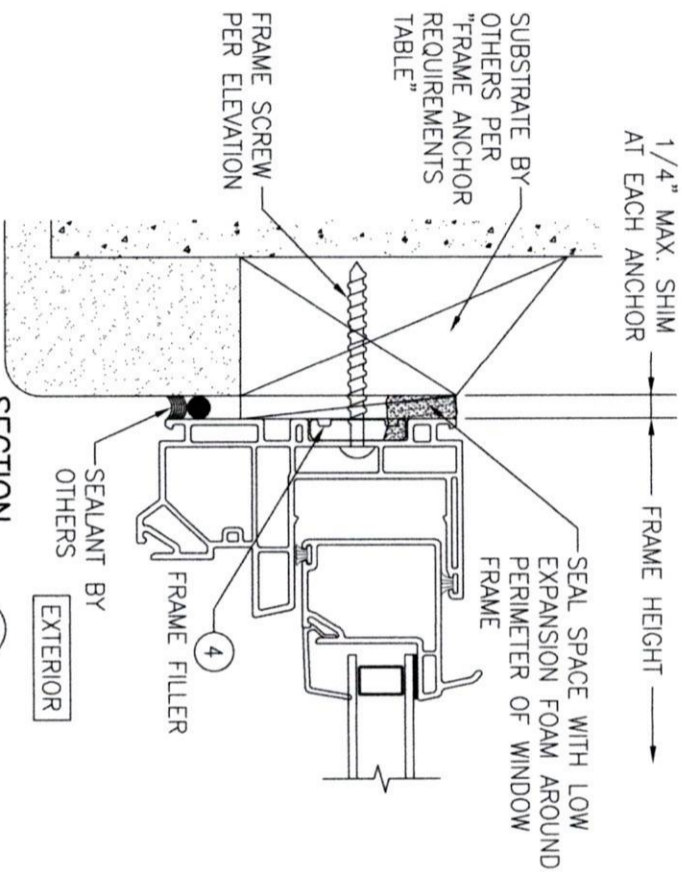
DRAWN BY: W.R.M.	CHECKED BY: W.M.S.
PLT: 1=2	DATE: 02/04/14

DRAWING TITLE 250 SERIES VINYL SLIDING GLASS NON-IMPACT WINDOW	
CONSULTANTS W. W. SCHAEFER ENGINEERING & CONSULTING, P.A. 26376 NADIR ROAD, UNIT 309 PUNTA GORDA, FL 33983 PHONE: 561-744-3424	MANUFACTURER  PELLA CORPORATION 102 MAIN STREET PELLA, IA 50219 641-621-1000

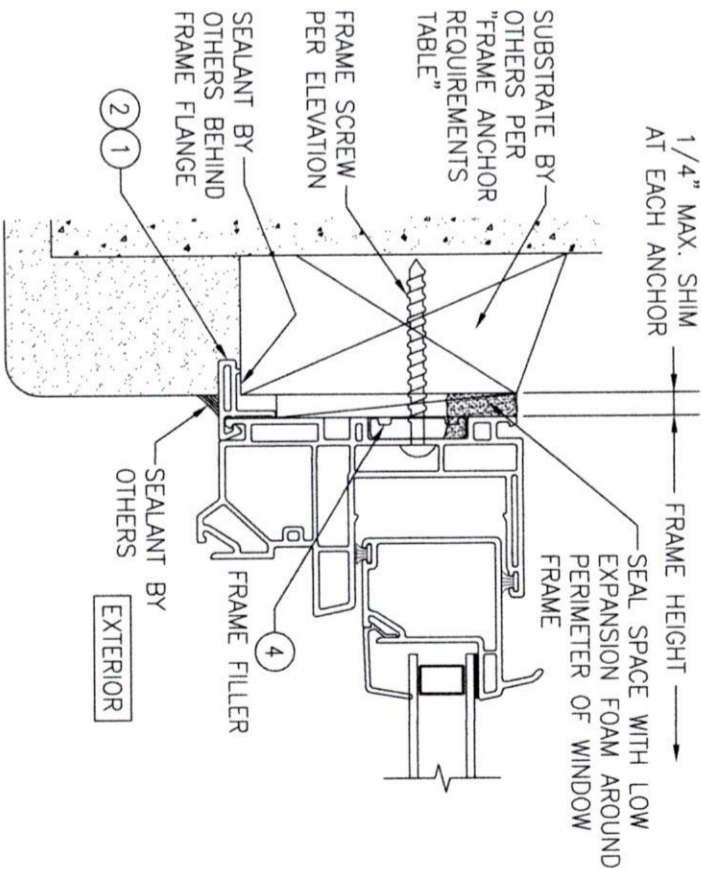
CERTIFICATION WARREN W. SCHAEFER, P.E. P.E. NO. 44135	
DRAWING NO. 1869	REV. C
SHEET NO. 4 OF 5	



SECTION B1
SCALE: 3/4 FULL
(NAIL FIN MOUNT)

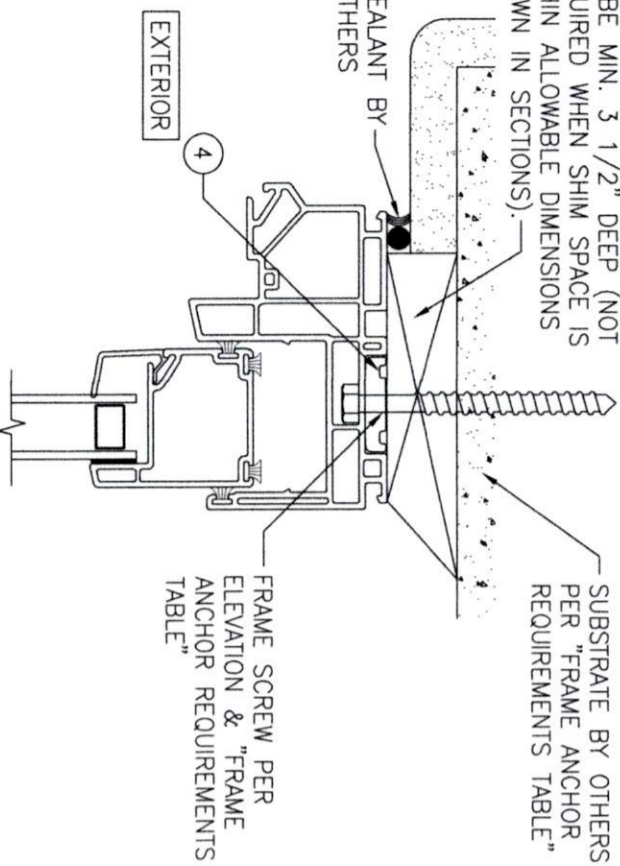


SECTION B2
SCALE: 3/4 FULL
(FRAME SCREW MOUNT CONDITION)

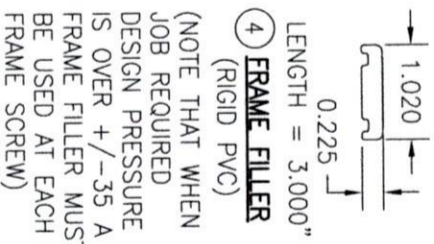
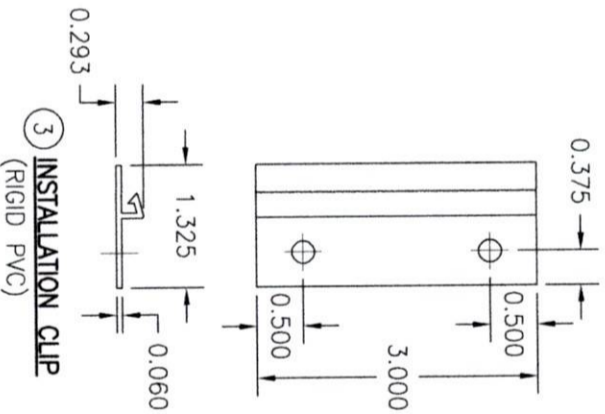
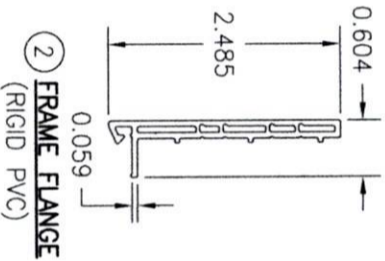
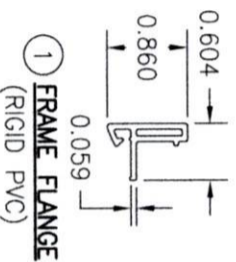


ALTERNATE SECTION B2
SCALE: 1/2 FULL
(FRAME SCREW MOUNT CONDITION WITH FLANGE)

CONTINUOUS WOOD MEMBER LESS IN THICKNESS THAN A 2X BUCK TO BE MIN. 3 1/2" DEEP (NOT REQUIRED WHEN SHIM SPACE IS WITHIN ALLOWABLE DIMENSIONS SHOWN IN SECTIONS).



OPTIONAL DIRECT MOUNT DETAIL TO SUBSTRATE WITH SPACER
(HEAD SECTION SHOWN; SIDES ARE INSTALLED THE SAME)
(DIRECT MOUNT CONDITION IS NOT APPLICABLE AT SILL)
(FOR DETAIL NOT SHOWN, SEE OTHER SECTIONS)



(NOTE THAT WHEN JOB REQUIRED DESIGN PRESSURE IS OVER +/-35 A FRAME FILLER MUST BE USED AT EACH FRAME SCREW)

NO.	REVISION DESCRIPTION	BY	DATE

PELLA CORPORATION
102 MAIN STREET
PELLA, IA 50219
641-621-1000



W. W. SCHAEFER ENGINEERING & CONSULTING, P.A.
26376 NADIR ROAD; UNIT 309
PUNTA GORDA, FL 33983
PHONE: 561-744-3424

WARREN W. SCHAEFER, P.E.
P.E. NO. 44135

DRAWING NO. **1869**
SHEET NO. **5 OF 5**